

Society  
Reference  
Address  
Phone  
Fax  
E-mail

DABSHOP.RU  
Kakaev, Pavel  
Pavlovskaya  
+7 495 212-90-35  
-  
kakaev@imperiatools.ru

60173608  
KI 40/120 M

MEI ≥ 0,40

8 bar (800 kPa)

-10 °C

90 °C

40 °C

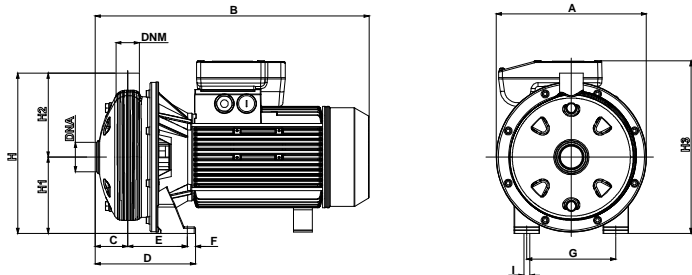
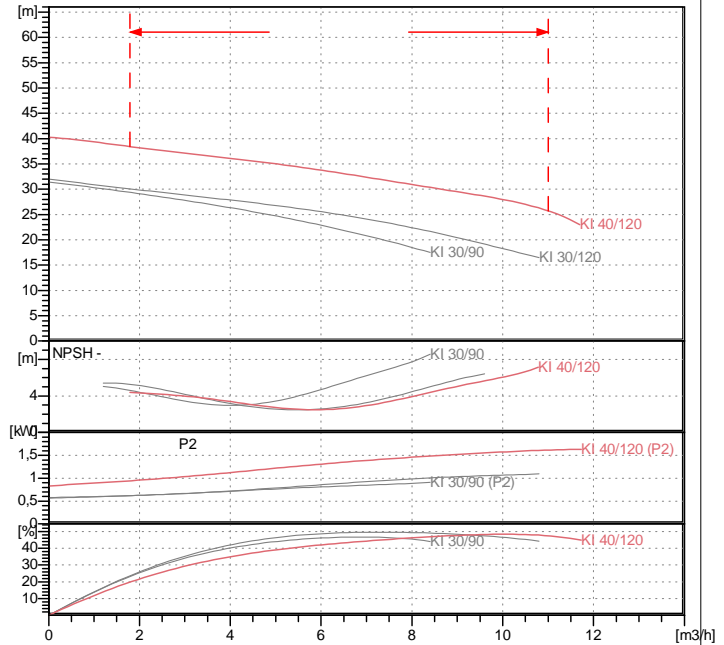
: 0,00 m<sup>3</sup>/h  
: 0,00 m  
: 20 °C  
: 0,99819 kg/dm<sup>3</sup>  
: 1,0004 mm<sup>2</sup>/s  
: 2,20 kPa

NPSH :  
Shaft power P2 :  
Efficiency :

/

AISI 304 X5 Cr Ni 1810 UNI 6900/71  
AISI 304 X5 Cr Ni 1810 UNI 6900/71  
Carbon/Ceramic/NBR  
AISI 304  
NBR  
AISI 303 X10 CrNiS 1809 UNI 6900/71

Curve tolerance according to ISO 9906



19,6 kg

mm

DAB  
2: 1,5 kW  
2800 1/min  
1- 220-230 V 50 Hz  
9,7 A  
IP 55

A	236	H3	272
B	432	IO	9
C	53		
D	159		
DNA	1" 1/4 G		
DNM	1" G		
E	93,5		
F	13		
G	140		
H	252		
H1	120		
H2	132		

:  
1 " 1/4 G/ 8 bar (800 kPa)  
1 " G / 8 bar (800 kPa)



03/12/18

2 / 3

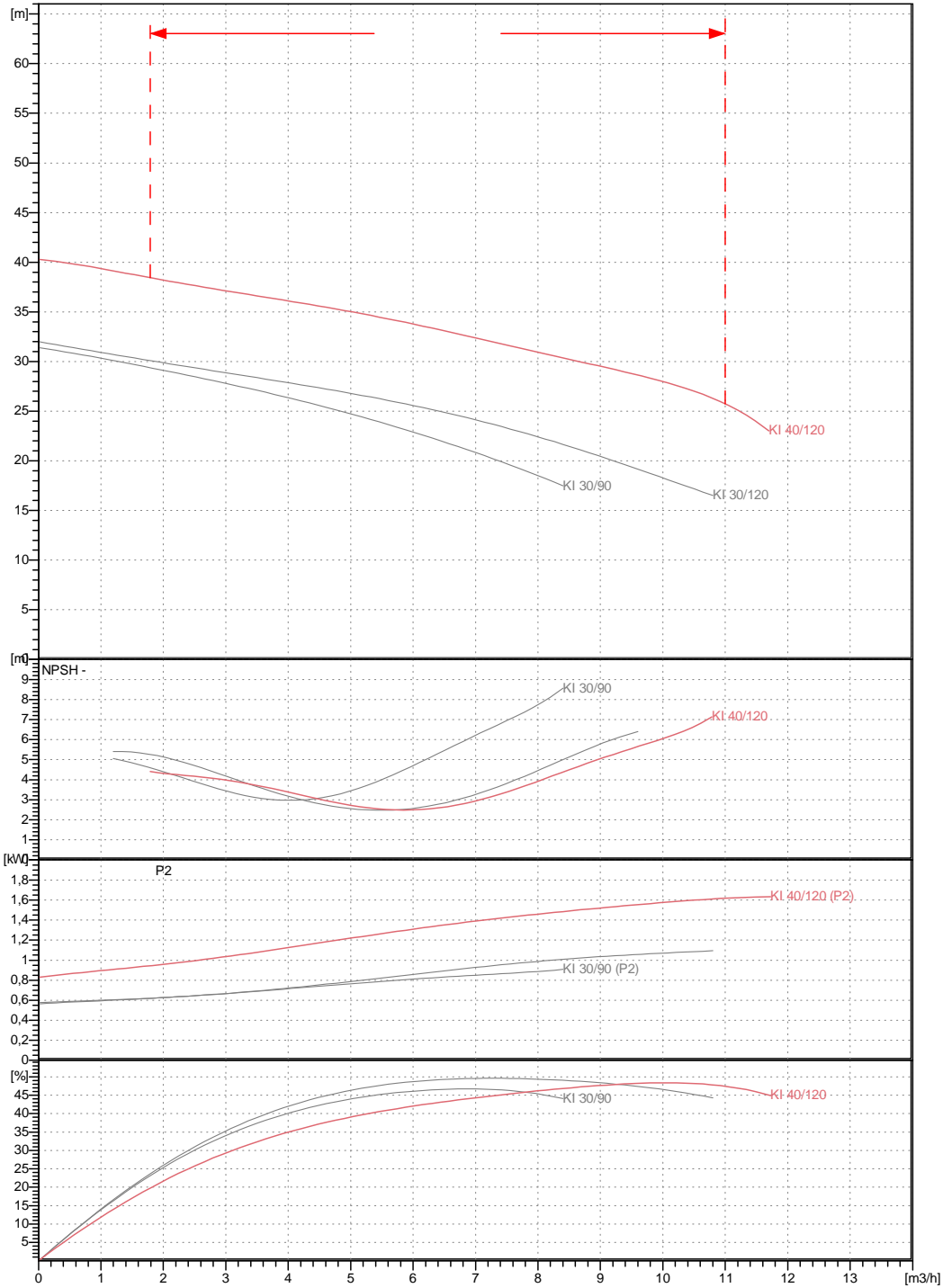
DAB PUMPS S.p.A.  
Via Marco Polo, 14 - 35035 Mestrino (PD), Italy  
Tel. +39 049 5125000 - Fax +39 049 5125950  
www.dabpumps.com

Society  
Reference  
Address  
Phone  
Fax  
E-mail

DABSHOP.RU  
Kakaev, Pavel  
Pavlovskaya  
+7 495 212-90-35  
-  
kakaev@imperiatools.ru

**KI 40/120 M**

Curve tolerance according to ISO 9906



1 " 1/4 G  
8 bar (800 kPa)

1 " G  
8 bar (800 kPa)

0 m³/h

0 m

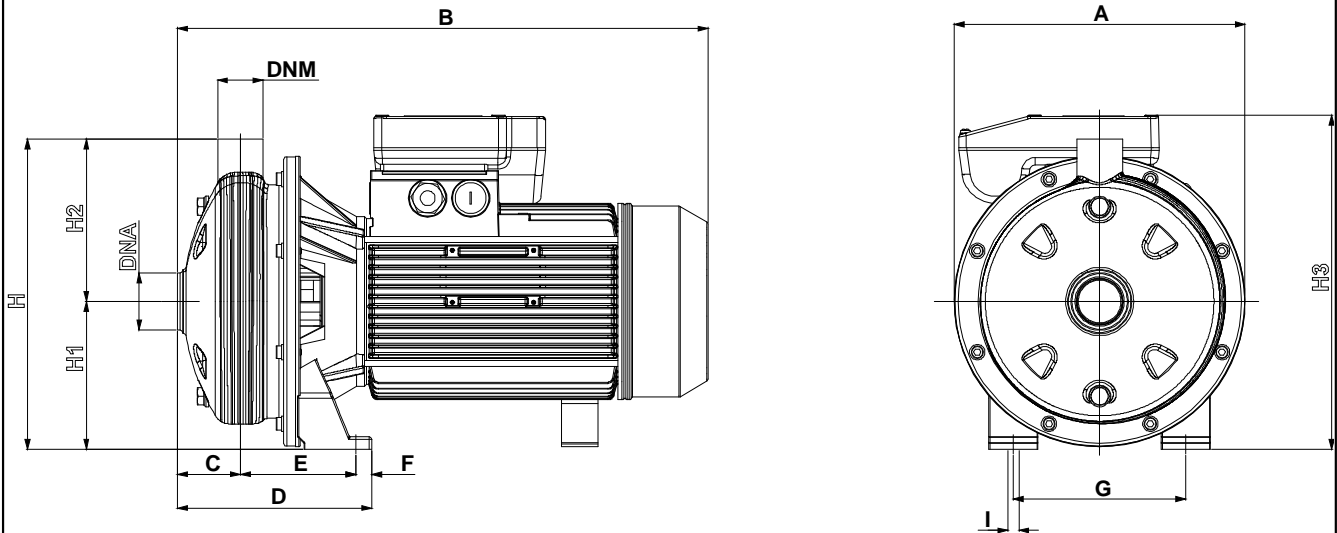
2800 1/min

03/12/18

Society  
Reference  
Address  
Phone  
Fax  
E-mail

DABSHOP.RU  
Kakaev, Pavel  
Pavlovskaya  
+7 495 212-90-35  
-  
kakaev@imperiatools.ru

**KI 40/120 M**



mm					
1	A	236	H1	120	
2	B	432	H2	132	
3	C	53	H3	272	1 " 1/4 G
4	D	159	IO	9	8 bar (800 kPa)
5	DNA	1"1/4 G			
6	DNM	1" G			
7	E	93,5			1 " G
8	F	13			8 bar (800 kPa)
9	G	140			
10	H	252			